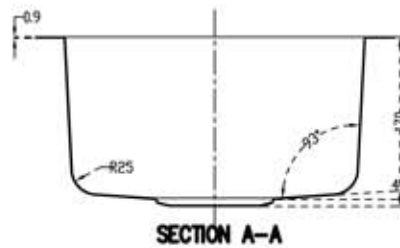
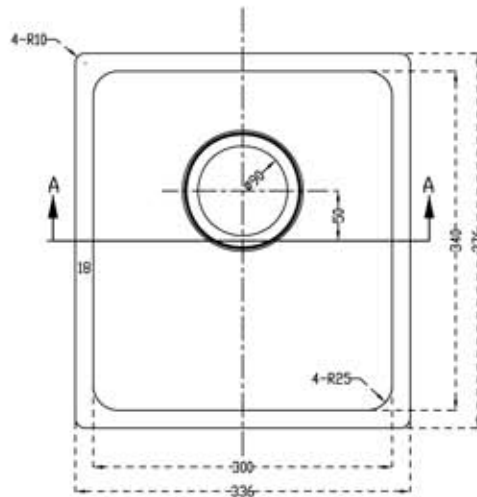


V336.376



***This is a GUIDE LINE ONLY**

Please double check before final cutting (Please check individual requirements)