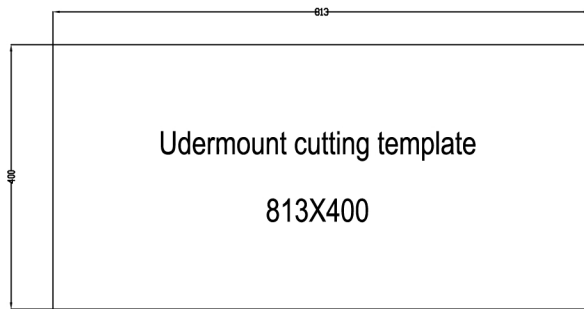
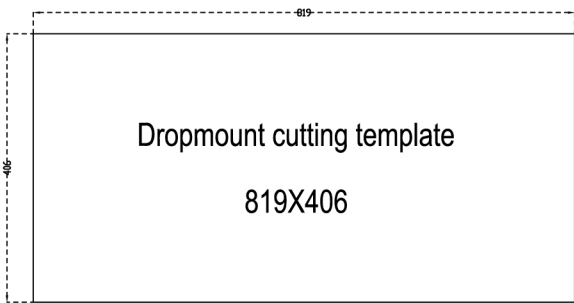
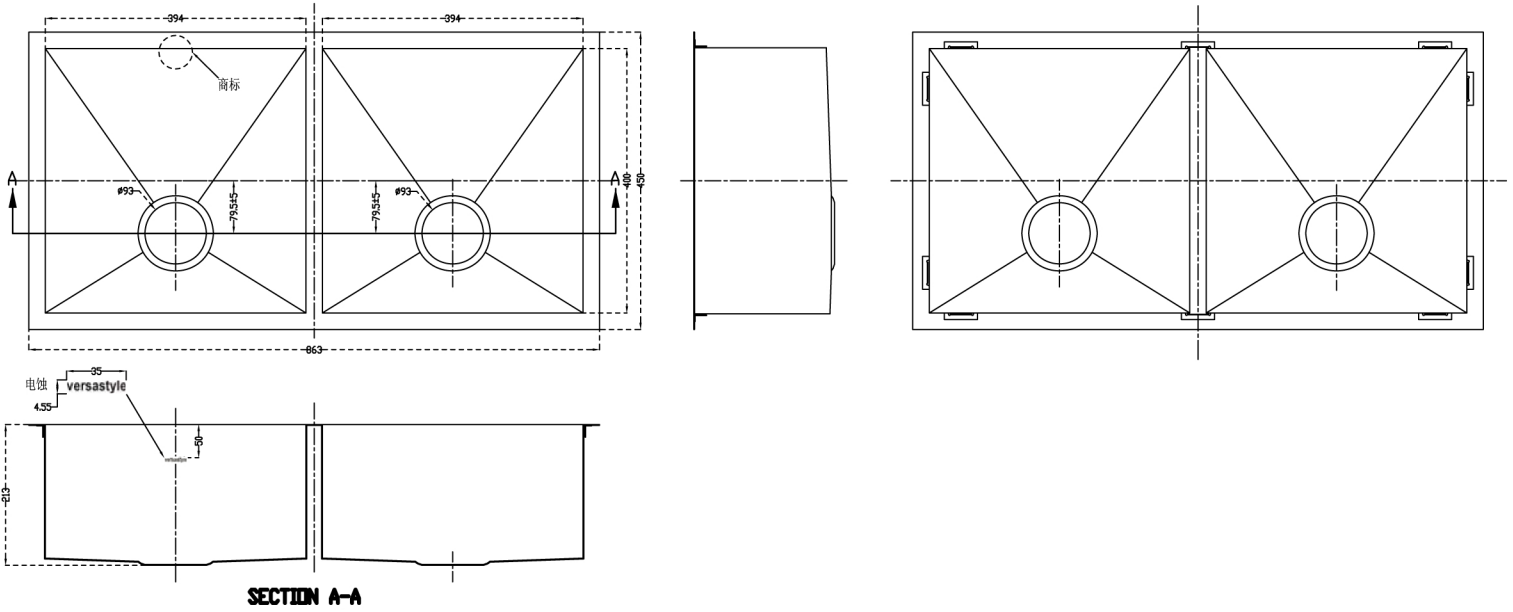


S863.450



***This is a GUIDE LINE ONLY**

Please double check before final cutting (Please check individual requirements)