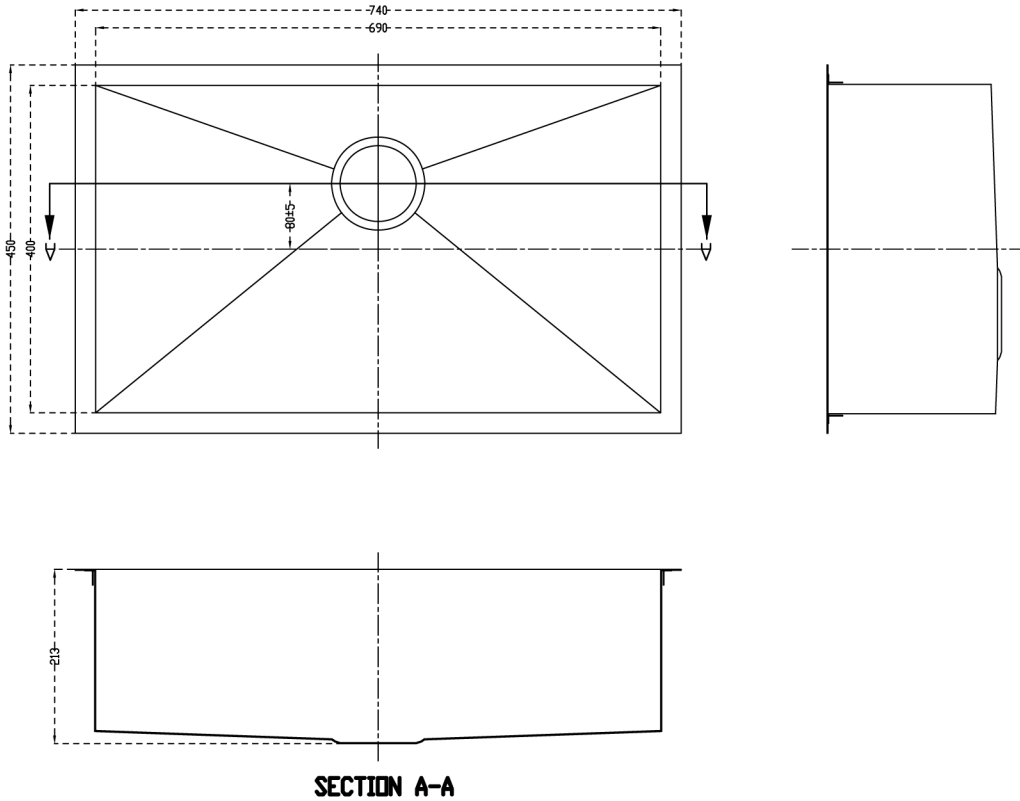


S740.450



Dropmount cutting template
696X406

Udermount cutting template
693X403

***This is a GUIDE LINE ONLY**

Please double check before final cutting (Please check individual requirements)